

## KATO Bluetooth KT-M2N

Conference Bluetooth/USB/AUX Call Speakerphone

32ft 360° Far-Field

Voice Audio Pickup



### Overview:

**Kato vision Co.,Ltd** launches new design Bluetooth/USB 32ft 360° Far-Field Conference Speakerphone series, It is the best choice for conference room, broadcast live, education, medical treatment and other professional speakerphone far-field scene.

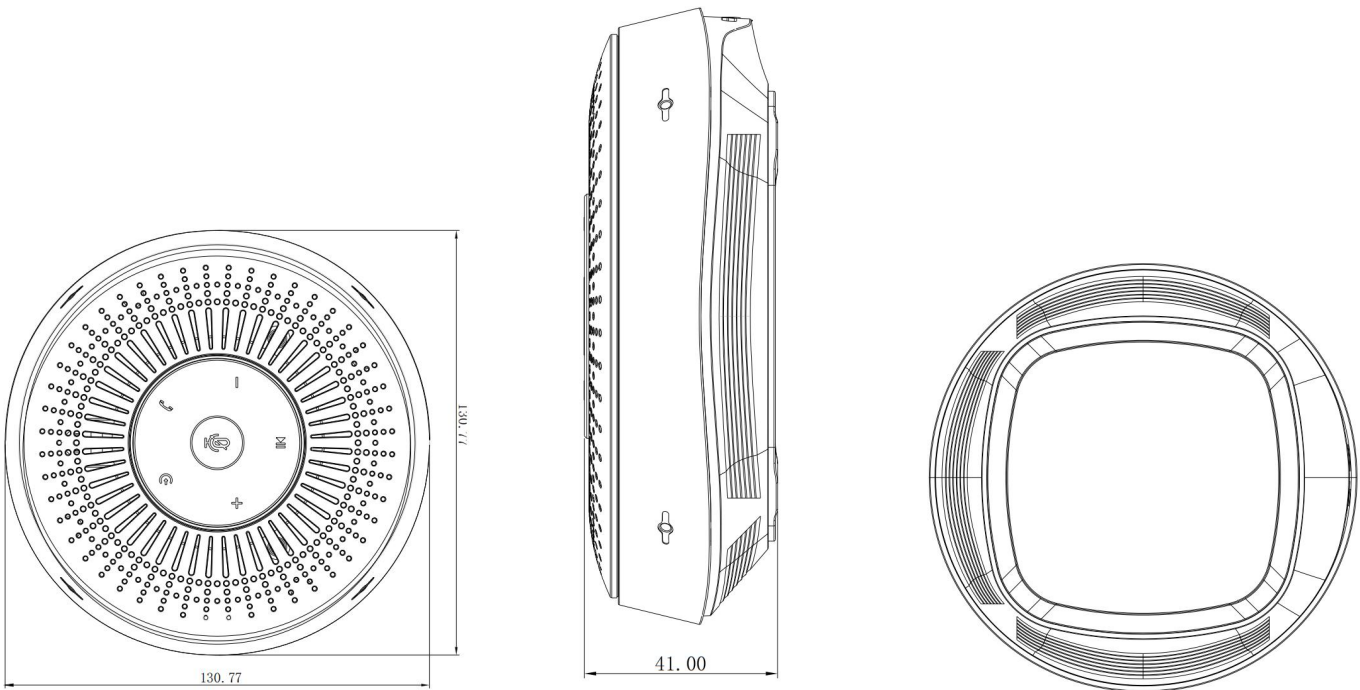
Based on Voice IA technology, KT-M2N series conference speakerphone adopts Automatic Echo Cancel (AEC), Automatic Noise Suppression(ANS) technology and Automatic Gain Control(AGC) to get 360° 10 meters far-field voice pick up, Active Noise Cancel and Echo Cancel functions for achieving high definition tone quality.

It can be easily connected to your Bluetooth supported mobile phone or tablet or to your PC with USB or AUX wire. The dynamic equalizer inside could automatically switch between voice and music modes and delivers the best sound quality and EQ depending on what the user is listening to.

It is compatible with multiple devices and operating systems like Windows 7, 8 and 10 as well as Mac OS. It has been tested and optimized for mainstream conference applications like Zoom, Skype, WebEx, Go to Meeting, Google Hangout, Facetime and etc.and it is also personalized with digital assistants like Cortana, ;Siri, and Google Now. You can simply interact with them via the one-touch smart button.

**Specification:****KT-M2N**

- AI Automatic Noise Canceller, based on Voice IATM algorithm, Automatic Noise Cancelling(ANC), Echo Canceller
- 4 Microphones, 32FT far-field and 360° voice recognition
- No driver needed, plug and play. Supporting Bluetooth, USB,AUX.
- Supporting Cortana, Siri,Google Now and etc telephone digital assistant
- Compact and portable design make it easy to put the Conference Speakerphone into your pocket or briefcase.
- Customized

**Size(mm):**

**Parameters:**

Model	KT-M2N
Support Equipment	telephone/tablet/pc and etc
Connection Mode	Bluetooth/USB/AUX
Speaker Rated Output Power	3W RMS
Support Equipment	20Hz~20KHz(±1dB)
SNR	>80dB
Bluetooth Type	V5.0
Bluetooth Distance	20meters
Working Frequency	24.567MHZ/24MHZ/2402~2480MHZ
Mic sensitivity	-26dBFS
Mic Frequency Response	100Hz~8KHz
Mic Directivity	360° Omnidirectional
Battery Capacity	3.7V/2600mAH
Charging Time	1.5-2Hours
Time of Endurance	Talking for 20hours, Standby 90days
DC Input	5V/2A
Size	130*130*41mm
Weight	285g
Color	Black